



Aeronautical Works, Kunovice, Czech Republic

*Aero*

Holding Company, Prague, Czech Republic

## MANDATORY BULLETIN No. L13/073a

Sheet: 1  
Of: 1  
Enclosures: 11

Effectivity: Manual for operation and maintenance of the L13 Blaník sailplane without overhauls.

Reason: Minor changes and print errors.

Description: In Manual replace old pages by enclosed new 1b, 1c, 1d, 1e, 1f, 1g, 2, 3, 22, 196, 197, dated Aug 31/95.

To be accomplished not later than: Immediately after receiving this Bulletin.

To be accomplished by: Holder of Manual

Cost covered by: No cost arise

Material availability: Revised and new pages are enclosed.

Validity: Since the date of receiving.

Manhours: 0

Manufacturer



Civil Aviation Inspectorate

95-09-17

LIST OF EFFECTIVE PAGES

Section	Page	Date
Title page	1	Aug 1/85
	1a	Aug 1/85
List of effective pages	1b	Aug 31/95
	1c	Aug 31/95
	1d	Aug 31/95
	1e	Aug 31/95
	1f	Aug 31/95
Log of revisions	1f	Aug 31/95
	1g	Aug 31/95
Contents	2	Aug 31/95
	3	Aug 31/95
	4	Aug 1/85
	5	Aug 1/85
	6	Aug 1/85
	7	Aug 1/85
	8	Aug 1/85
	9	Aug 1/85
	10	Aug 1/85
	11	Aug 1/85
	12	Aug 1/85
	13	Aug 1/85
	14	Aug 1/85
	15	Aug 1/85
	16	Aug 1/85
	17	Aug 1/85
	18	Aug 1/85
	19	Aug 1/85
	20	Aug 1/85
	21	Aug 1/85
	22	Aug 31/95
	23	Aug 1/85
	24	Aug 1/85
	25	Aug 1/85
	26	Aug 1/85
	27	Aug 1/85
	28	Aug 1/85
	29	Aug 1/85
	30	Aug 1/85
	31	Aug 1/85
	32	Aug 1/85
	33	Aug 1/85
	34	Aug 1/85

Section	Page	Date
	35	Aug 1/85
	36	Aug 1/85
	37	Aug 1/85
	38	Aug 1/85
	39	Aug 1/85
	40	Aug 1/85
	41	Aug 1/85
	42	Aug 1/85
	43	Aug 1/85
	44	Aug 1/85
	45	Aug 1/85
	46	Aug 1/85
	47	Aug 1/85
	48	Aug 1/85
	49	Aug 1/85
	50	Aug 1/85
	51	Aug 1/85
	52	Aug 1/85
	53	Aug 1/85
	54	Aug 1/85
	55	Aug 1/85
	56	Aug 1/85
	57	Aug 1/85
	58	Aug 1/85
	59	Aug 1/85
	60	Aug 1/85
	61	Aug 1/85
	62	Aug 1/85
	63	Aug 1/85
	64	Aug 1/85
	65	Aug 1/85
	66	Aug 1/85
	67	Aug 1/85
	68	Aug 1/85
	69	Aug 1/85
	70	Aug 1/85
	71	Aug 1/85
	72	Aug 1/85
	73	Aug 1/85
	74	Aug 1/85
	75	Aug 1/85
	76	Aug 1/85
	77	Aug 1/85
	78	Aug 1/85

LIST OF EFFECTIVE PAGES

Section	Page	Date
	79	Aug 1/85
	80	Aug 1/85
	81	Aug 1/85
	82	Aug 1/85
	83	Aug 1/85
	84	Aug 1/85
	85	Aug 1/85
	86	Aug 1/85
	87	Aug 1/85
	88	Aug 1/85
	89	Aug 1/85
	90	Aug 1/85
	91	Aug 1/85
	92	Aug 1/85
	93	Aug 1/85
	94	Aug 1/85
	95	Aug 1/85
	96	Aug 1/85
	97	Aug 1/85
	98	Aug 1/85
	99	Aug 1/85
	100	Aug 1/85
	101	Aug 1/85
	102	Aug 1/85
	103	Aug 1/85
	104	Aug 1/85
	105	Aug 1/85
	106	Aug 1/85
	107	Aug 1/85
	108	Aug 1/85
	109	Aug 1/85
	110	Aug 1/85
	111	Aug 1/85
	112	Aug 1/85
	113	Aug 1/85
	114	Aug 1/85
	115	Aug 1/85
	116	Aug 1/85
	117	Aug 1/85
	118	Aug 1/85
	119	Aug 1/85
	120	Aug 1/85
	121	Aug 1/85
	122	Aug 1/85

Section	Page	Date
	123	Aug 1/85
	124	Aug 1/85
	125	Aug 1/85
	126	Aug 1/85
	127	Aug 1/85
	128	Aug 1/85
	129	Aug 1/85
	130	Aug 1/85
	131	Aug 1/85
	132	Aug 1/85
	133	Aug 1/85
	134	Aug 1/85
	135	Aug 1/85
	136	Aug 1/85
	137	Aug 1/85
	138	Aug 1/85
	139	Aug 1/85
	140	Aug 1/85
	141	Aug 1/85
	142	Aug 1/85
	143	Aug 1/85
	144	Aug 1/85
	145	Aug 1/85
	146	Aug 1/85
	147	Aug 1/85
	148	Aug 1/85
	149	Aug 1/85
	150	Aug 1/85
	151	Aug 1/85
	152	Aug 1/85
	153	Aug 1/85
	154	Aug 1/85
	155	Aug 1/85
	156	Aug 1/85
	157	Aug 1/85
	158	Aug 1/85
	159	Aug 1/85
	160	Aug 1/85
	161	Aug 1/85
	162	Aug 1/85
	163	Aug 1/85
	164	Aug 1/85
	165	Aug 1/85
	166	Aug 1/85

LIST OF EFFECTIVE PAGES

Section	Page	Date	Section	Page	Date
	167	Aug 1/85		211	Aug 1/85
	168	Aug 1/85		212	Aug 1/85
	169	Aug 1/85		213	Aug 1/85
	170	Aug 1/85		214	Aug 1/85
	171	Aug 1/85	L 13/006	215	Aug 1/85
	172	Aug 1/85		216	Aug 1/85
	173	Aug 1/85		217	Aug 1/85
	174	Aug 1/85		218	Aug 1/85
	175	Aug 1/85	L 13/015	219	Aug 1/85
	176	Aug 1/85		220	Aug 1/85
	177	Aug 1/85		221	Aug 1/85
	178	Aug 1/85		222	Aug 1/85
	179	Aug 1/85		223	Aug 1/85
	180	Aug 1/85		224	Aug 1/85
	181	Aug 1/85		225	Aug 1/85
	182	Aug 1/85		226	Aug 1/85
	183	Aug 1/85	L 13/017	227	Aug 1/85
	184	Aug 1/85	L 13/022	228	Aug 1/85
	185	3Aug 1/85		229	Aug 1/85
	186	3Aug 1/85		230	Aug 1/85
	187	Aug 1/85		231	Aug 1/85
	188	Aug 1/85		232	Aug 1/85
	189	Aug 1/85		233	Aug 1/85
	190	Aug 1/85		234	Aug 1/85
	191	Aug 1/85		235	Aug 1/85
	192	Aug 1/85		236	Aug 1/85
	193	Aug 1/85		237	Aug 1/85
	194	Aug 1/85		238	Aug 1/85
	195	Aug 1/85		239	Aug 1/85
	196	Aug 31/95		240	Aug 1/85
	197	Aug 31/95	L 13/025	241	Aug 1/85
Book No.2				242	Aug 1/85
Bull. No.:				243	Aug 1/85
	198	Aug 1/85		244	Aug 1/85
	199	Aug 1/85	L 13/030	245	Aug 1/85
L 13/001	200	Aug 1/85		246	Aug 1/85
L 13/001	201	Aug 1/85		247	Aug 1/85
operation.	202	Aug 1/85		248	Aug 1/85
	203	Aug 1/85		249	Aug 1/85
L 13/003	204	Aug 1/85		250	Aug 1/85
	205	Aug 1/85	L 13/034	251	Aug 1/85
	206	Aug 1/85		252	Aug 1/85
	207	Aug 1/85		253	Aug 1/85
	208	Aug 1/85		254	Aug 1/85
	209	Aug 1/85		255	Aug 1/85
	210	Aug 1/85			

LIST OF EFFECTIVE PAGES

Section	Page	Date	Section	Page	Date
L 13/042	256	Aug 1/85			
	257	Aug 1/85			
	258	Aug 1/85			
	259	Aug 1/85			
	260	Aug 1/85			
	261	Aug 1/85			
	262	Aug 1/85			
	263	Aug 1/85			
	264	Aug 1/85			
	265	Aug 1/85			
	266	Aug 1/85			
	267	Aug 1/85			
	268	Aug 1/85			
	269	Aug 1/85			
	270	Aug 1/85			
	271	Aug 1/85			
	272	Aug 1/85			
	273	Aug 1/85			
	L 13/045	274	Aug 1/85		
275		Aug 1/85			
276		Aug 1/85			
277		Aug 1/85			
278		Aug 1/85			
279		Aug 1/85			
L 13/046		280	Aug 1/85		
L 13/047	281	Aug 1/85			
	282	Aug 1/85			
	283	Aug 1/85			
	284	Aug 1/85			
	285	Aug 1/85			
	286	Aug 1/85			
L 13/047	287	Aug 1/85			
Suppl.	288	Aug 1/85			
L 13/050	289	Aug 1/85			
L 13/055	290	Aug 1/85			



No. of Amen.	No. of bulletin	No. of the pages affected	Date of iss. of new pages	Date of entry and signature

CONTENTS

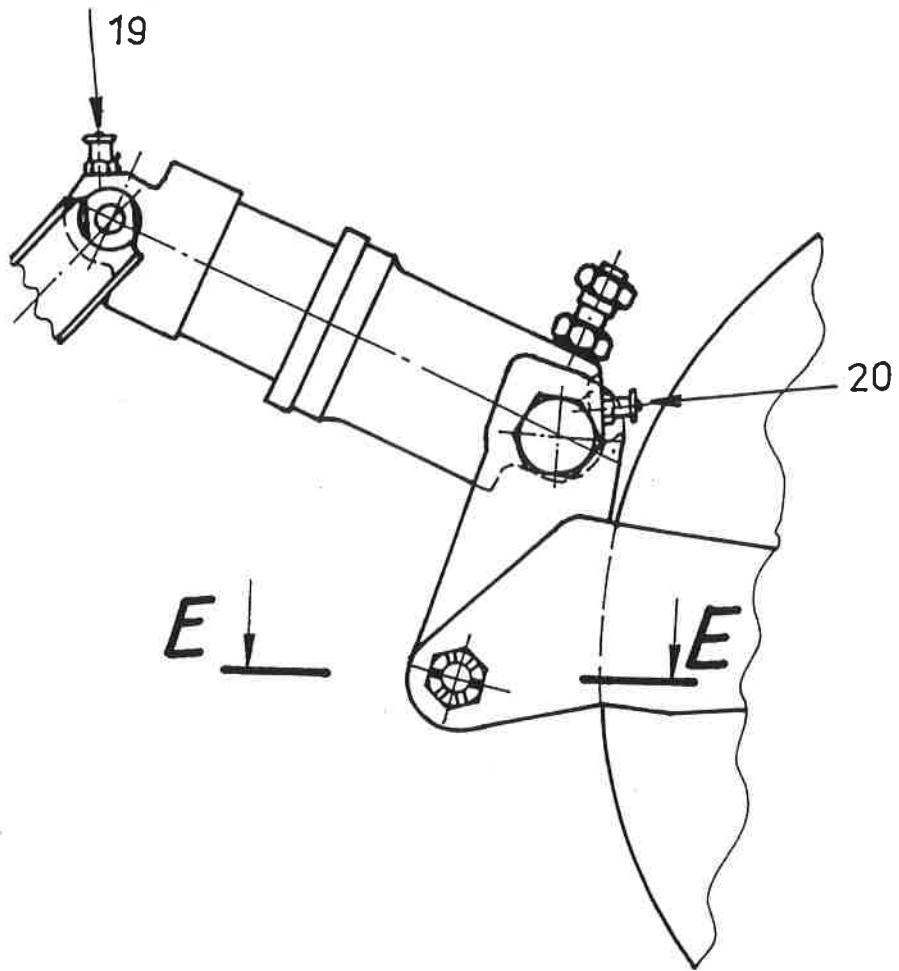
Part 1	Page
List of effective pages	1b
Log of revisions	1f
1. Introduction	4
2. System of inspections and revisions	5
2.1 The description of existing condition and probability to go to maintenance without overhauls	5
2.2 Inspection of soaring gliders and its range	11
2.3 Program of inspection check	13
3. New grouping of maintenance	15
3.1 Operative maintenance	15
3.2 Periodic maintenance	17
3.3 Lubrication	18
4. Soaring glider service life	23
5. Critical spots on the airframe	27
6. Contents of periodic inspections	28
6.1 General notes	28
6.2 Contents of maintenance of A-type	29
6.3 Contents of maintenance of B-type	36
6.4 Contents of maintenance of C-type	36
6.5 Contents of maintenance of D-type	40
7. Description of the dismantling and refitting of individual groups	43
7.1 Preparatory operations and soaring glider cleaning	43
7.2 Dismantling and refitting the equipment	44
7.3 Dismounting and fitting the wing	48
7.4 Dismounting and mounting tail surfaces	53
7.5 Dismounting and mounting the controls	58
7.6 Dismounting and mounting landing gears	67
7.7 Dismounting the wing proper	72
8. Methods of repairs of individual structural elements and faults	78
8.1 General notes	78
8.1.1 Old paint stripping	79
8.1.2 Removal of damaged coverings	80
8.1.3 Removal of rivets by drilling off	81
8.1.4 Straightening deformed parts of airframe	82
8.1.5 Structural principles for the proposal of method of repair	83
8.1.6 Restoration of paints after repair	88



8.1.7	Repairs of skins	89
8.2	Repairs of fuselage	103
8.3	Repairs of wing	105
8.4	Repairs of tail surfaces	110
8.5	Repairs of landing gear	113
8.6	Repair of towing equipment	123
8.7	Repair of control system	124
8.8	Repair of tubes of static and dynamic pressure	129
8.9	Repair of electroinstallation, bridge over and check of contact resistance of resistors	131
8.10	Soaring glider weighing and determination of centre of gravity position	139
8.11	Soaring glider levelling	142
9.	Instructions for testing and maintenance of instruments	149
9.1	Testing of instruments	149
9.2	Maintenance of undercarriage shock absorber	164
9.3	Maintenance of storage battery	168
9.4	Compass compensation	172
9.5	Cleaning the turn indicator collector	174
10.	Soaring glider test flying after periodic inspection	176
11.	Supplements	180
11.1	Review of repair tolerances	180
11.2	List of groups of soaring glider drawings	184
11.3	List of parts liable to coloured crack detection	185
11.4	Transfer tables of materials used	186
11.5	Repair of corrosion of electron parts	192
11.6	List of Bulletins edited to the date of this Manual edition	193
11.7	Deleted	196

Part 2

Selected Bulletins relating to the operational periods of the L 13 Blaník soaring glider



SECTION E-E

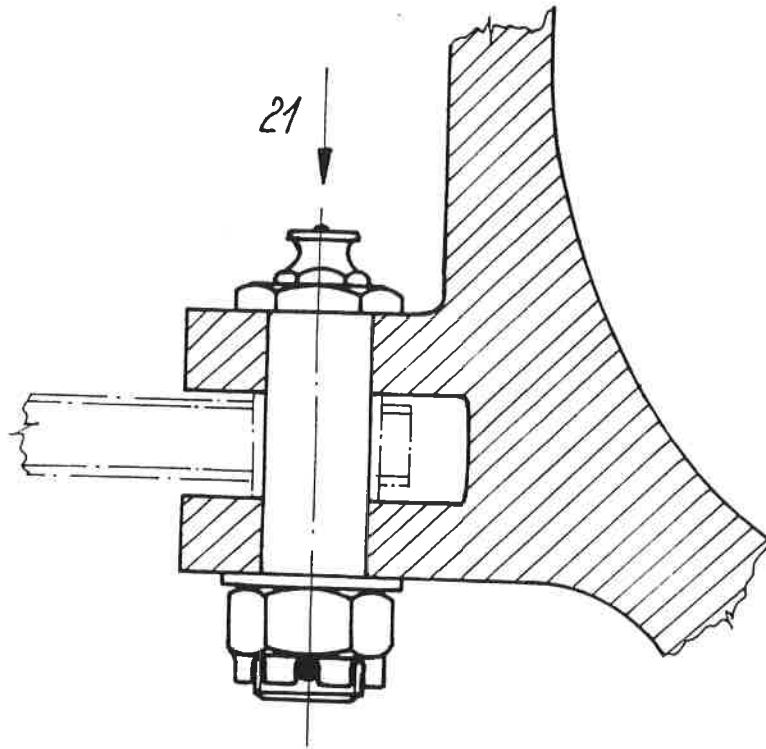


Fig. 3.2.

11.7 Deleted

Intentionally left blank

Intentionally left blank